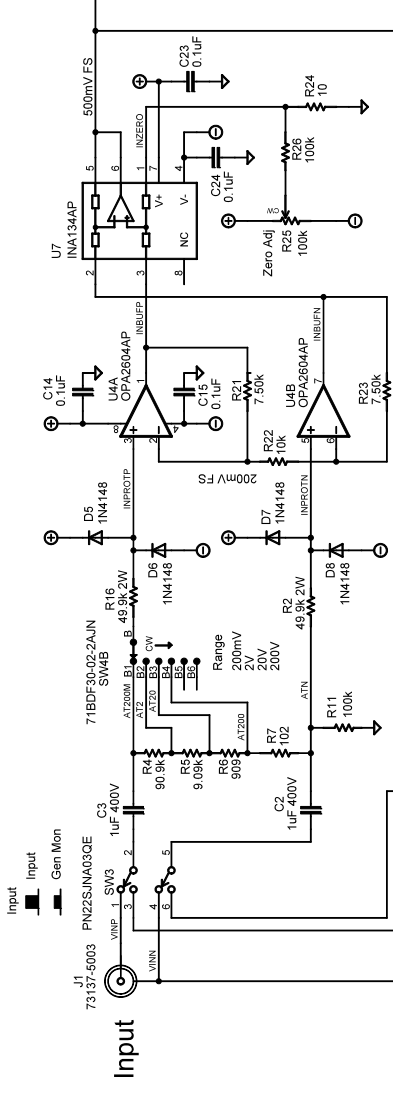
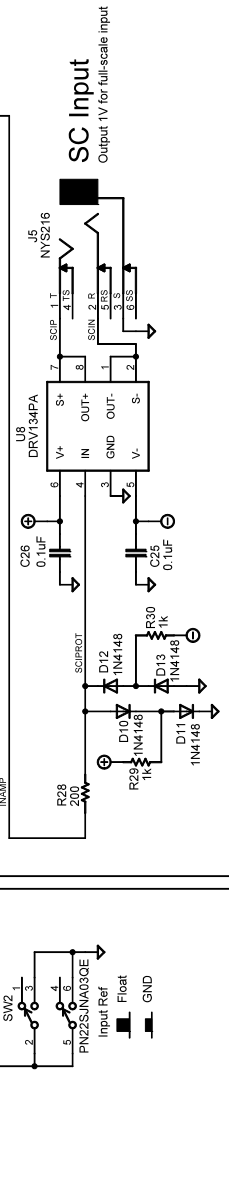


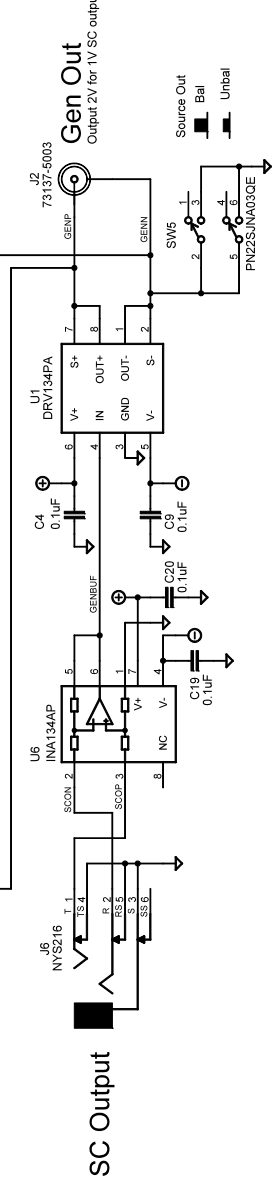
**Power**  
+5 to +6 VDC



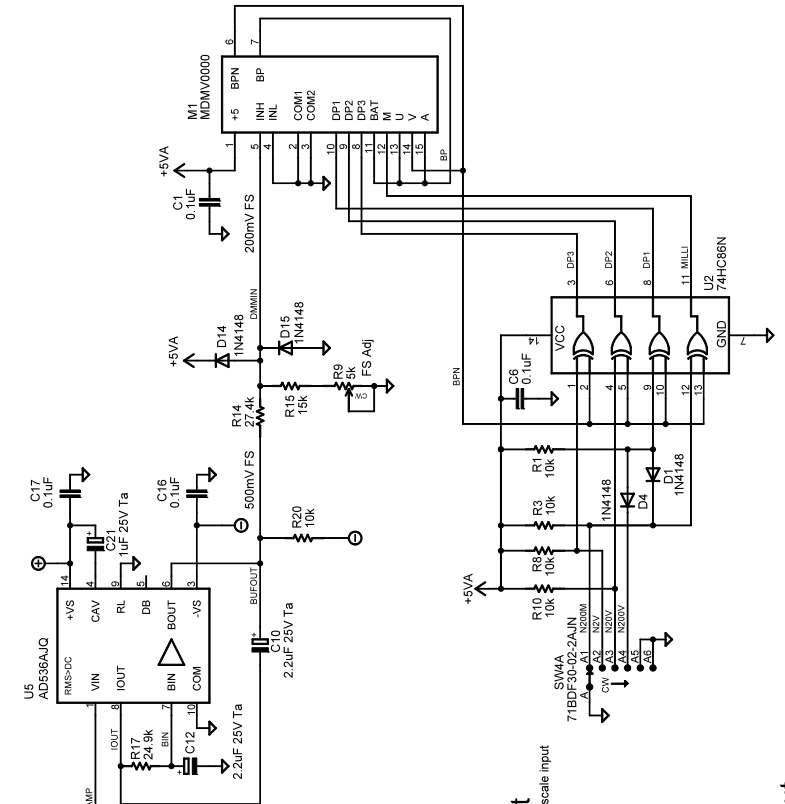
**Input**



**SC Input**  
Output 1V for full-scale input



**SC Output**  
Output 2V for 1V SC output



Pete Millett 2009 - www.pmillett.com

<b>Soundcard Interface</b>	
TITLE: ATEST	REV: 1
Document Number:	
Date: 1/04/2010 08:41:20p	Sheet: 1/1