

**INPUT CONNECTIONS**

0.5V. to 20V. INPUT: SCREW TERMINALS OR PRE-AMP SOCKET PINS. 1(GND.) & 5. ADJUST GAIN CONTROL IF SIGNAL EXCEEDS 0.5 V.

NOTE 1: JUMPER PINS 2 & 3 OF PRE-AMP. SOCKET.

2.5 V. INPUT: PRE-AMP. SOCKET PINS 1(GND.) & 2.

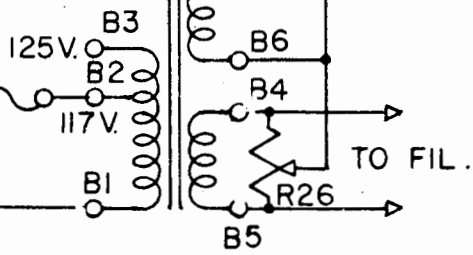
NOTE 2: GAIN CONTROL INCOPERATIVE  
McINTOSH PRE-AMPS. USE THIS SOCKET

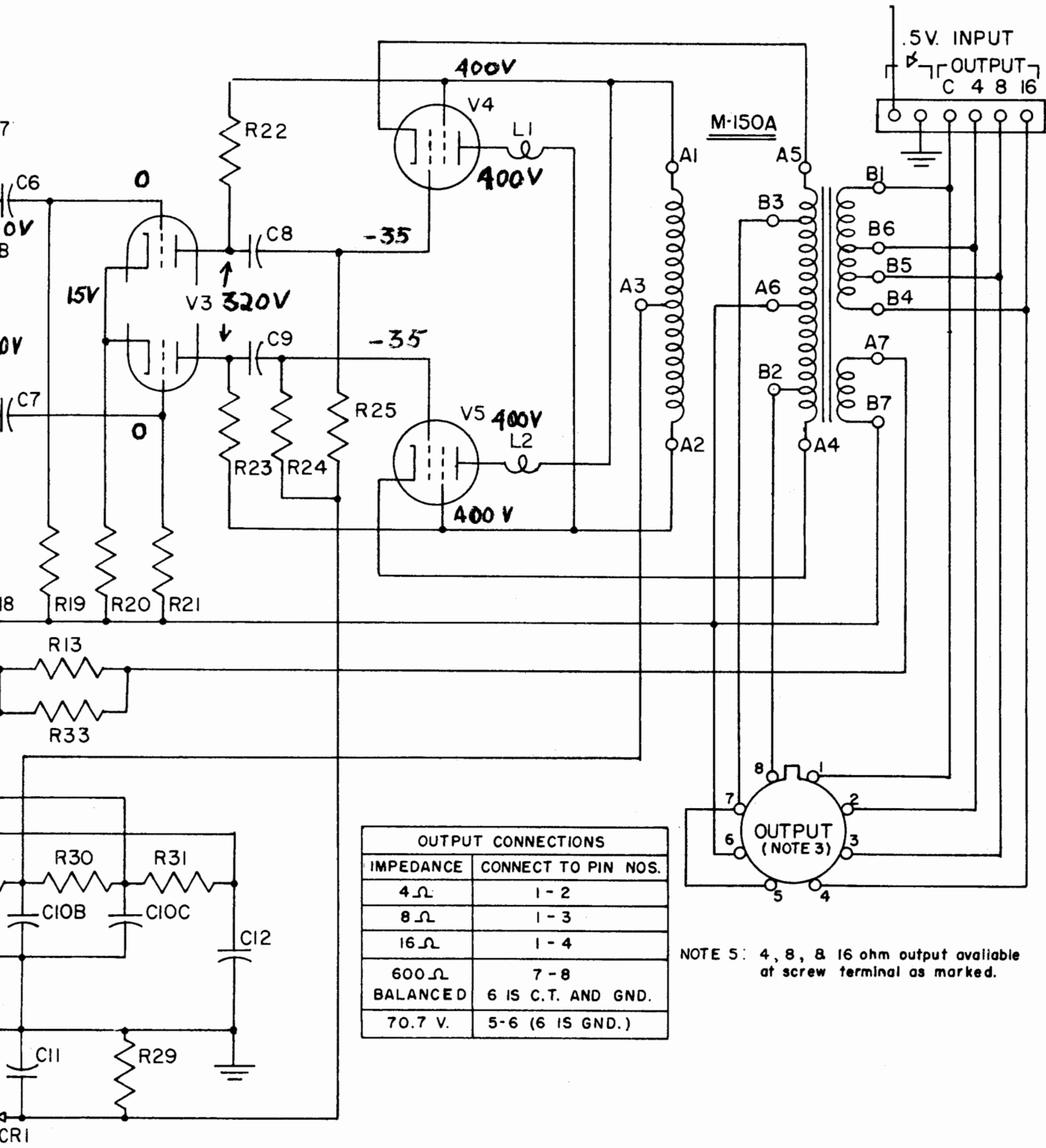
NOTE 3: SOCKETS VIEWED FROM BOTTOM.

50-60 Hz  
A.C. SUPPLY

NOTE 4: REMOVE JUMPER NO. 1 FOR BASS ROLL-OFF.  
REMOVE JUMPER NO. 2 FOR BASS BOOST.

M-152A





OUTPUT CONNECTIONS	
IMPEDANCE	CONNECT TO PIN NOS.
4 Ω	1 - 2
8 Ω	1 - 3
16 Ω	1 - 4
600 Ω	7 - 8
BALANCED	6 IS C.T. AND GND.
70.7 V.	5-6 (6 IS GND.)

NOTE 5: 4, 8, & 16 ohm output available at screw terminal as marked.

MODEL A-116 AMPLIFIER

30 WATT

Parts List for A-116A

30 Watt Power Amplifier

R1	500K Pot, Level Adj.	C1	.033
R2	2.2M	C2	.022
R3	56K, 1W	C3	.1
R4	2.2K	C4	47mmf
R5	18K, 1W	C5	.022
R6	47K	C6	.1
R7	1M	C7	.1
R8	100K	C8	.25, 600V
R9	2.2K	C9	.25, 600V
R10	1M	C10	40/80-20, 500/450 V.
R11	100K	C11	20, 150V
R12	1K	C12	10, 450V
R13	10K	C13	.0047
R14	22K	C14	.1
R15	1.2M	CR1	Sel. Rect, 4 plate 20 MA.
R16	1M	L1	1.5 Micro H. Choke
R17	12K, 2W	L2	2.7 Micro H. Choke
R18	12K, 2W	T1	M-152A Power Trans.
R19	100K	T2	M-150A Output Trans.
R20	1.2K	V1	12AX7
R21	100K	V2	12BH7
R22	12K, 2W	V3	12BH7
R23	12K, 2W	V4	6BG6-G
R24	680K	V5	6BG6-G
R25	680K	V6	5U4-GA
R26	250 Ohm Pot, Hum Adj.		
R27	470 Ohm		
R28	150 Ohm, 10W		
R29	56K		
R30	4.4K, 2W		
R31	47K		
R32	120K		
R33	10K		