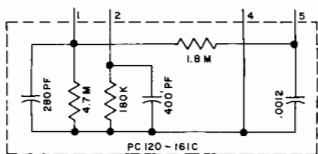


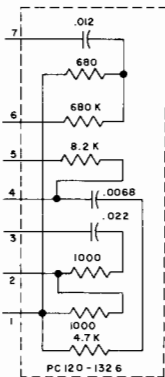
NOTES

1. UNITS WITH SERIAL NUMBERS BELOW USE TWO PC120-161C MODULES INSTEAD OF ONE PC144-20B. THE PC120-161C CIRCUIT IS AS ILLUSTRATED BELOW.

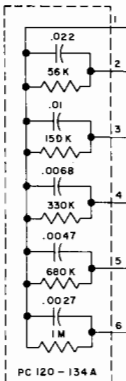


2. UNITS WITH SERIAL NUMBERS BELOW USE TWO PC120-133B INSTEAD OF TWO PC144-202 MODULES. THEY BOTH CONNECT IN THE SAME MANNER.

3. UNITS WITH SERIAL NUMBERS BELOW USE TWO PC120-132B INSTEAD OF TWO PC144-205 MODULES. THE PC120-132B CIRCUIT IS AS ILLUSTRATED BELOW.

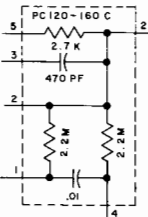


4. UNITS WITH SERIAL NUMBERS BELOW USE TWO PC120-134A INSTEAD OF TWO PC144-204 MODULES. THE PC120-134A CIRCUIT IS AS ILLUSTRATED BELOW.



5. UNITS WITH SERIAL NUMBERS BELOW USE TWO PC120-160C INSTEAD OF TWO PC144-208 MODULES. THEY BOTH CONNECT IN THE SAME MANNER.

6. UNITS WITH SERIAL NUMBERS BELOW USE TWO PC120-160C INSTEAD OF TWO PC144-207 MODULES. THE PC120-160C CIRCUIT IS AS ILLUSTRATED BELOW.



7. RESISTORS MARKED * ARE 1/4W 20%.

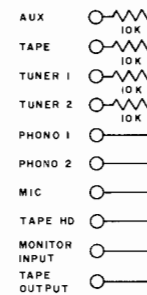
8. UNLESS OTHERWISE SPECIFIED ALL RESISTORS ARE IN OHMS 1/2 W 10%. ALL CAPACITORS ARE IN MFD.

9. ALL VOLTAGES MEASURED UNDER THE FOLLOWING CONDITIONS.

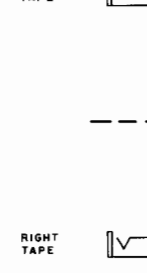
USE OF 11 MEGOHMS INPUT IMPEDANCE VTVM
ALL VOLTAGES ±10% WITH RESPECT TO GROUND
AC INPUT AT 117 V. 50-60 CPS
FRONT PANEL CONTROLS AT
BALANCE - FLAT
INPUT SELECTOR - AUX
MODE SELECTOR - STEREO
VOLUME - MAX
TONE CONTROLS - FLAT
COMP - R1A
TAPE - NORMAL
TAPE JACKS - RECDRD
FILTERS - FLAT
LOUDNESS - NORMAL

LEFT CHANNEL

LEFT CHANNEL INPUTS

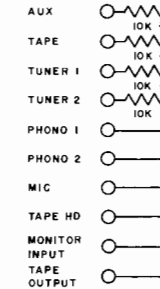


LEFT TAPE

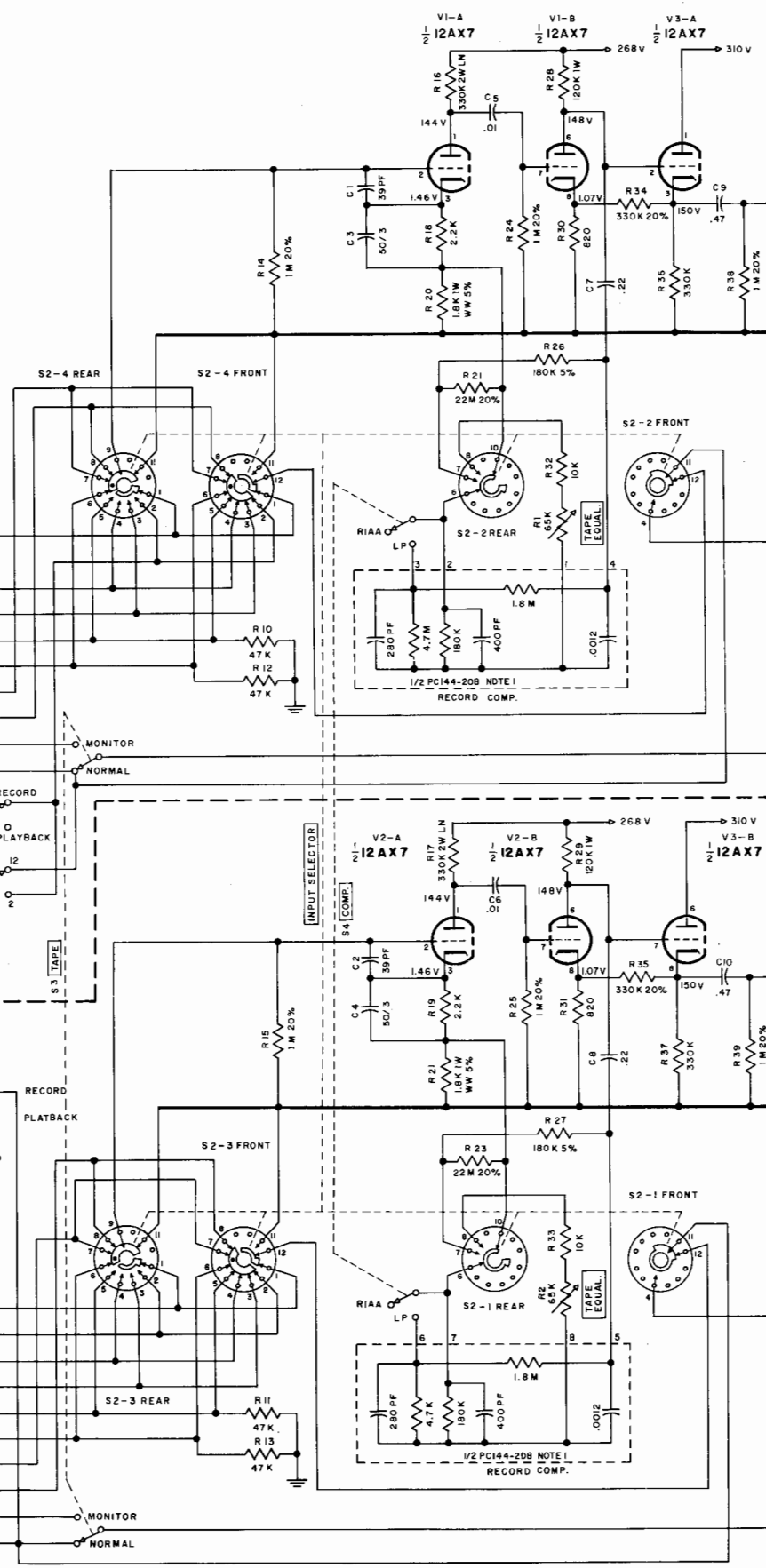
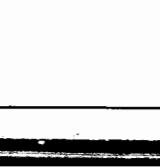


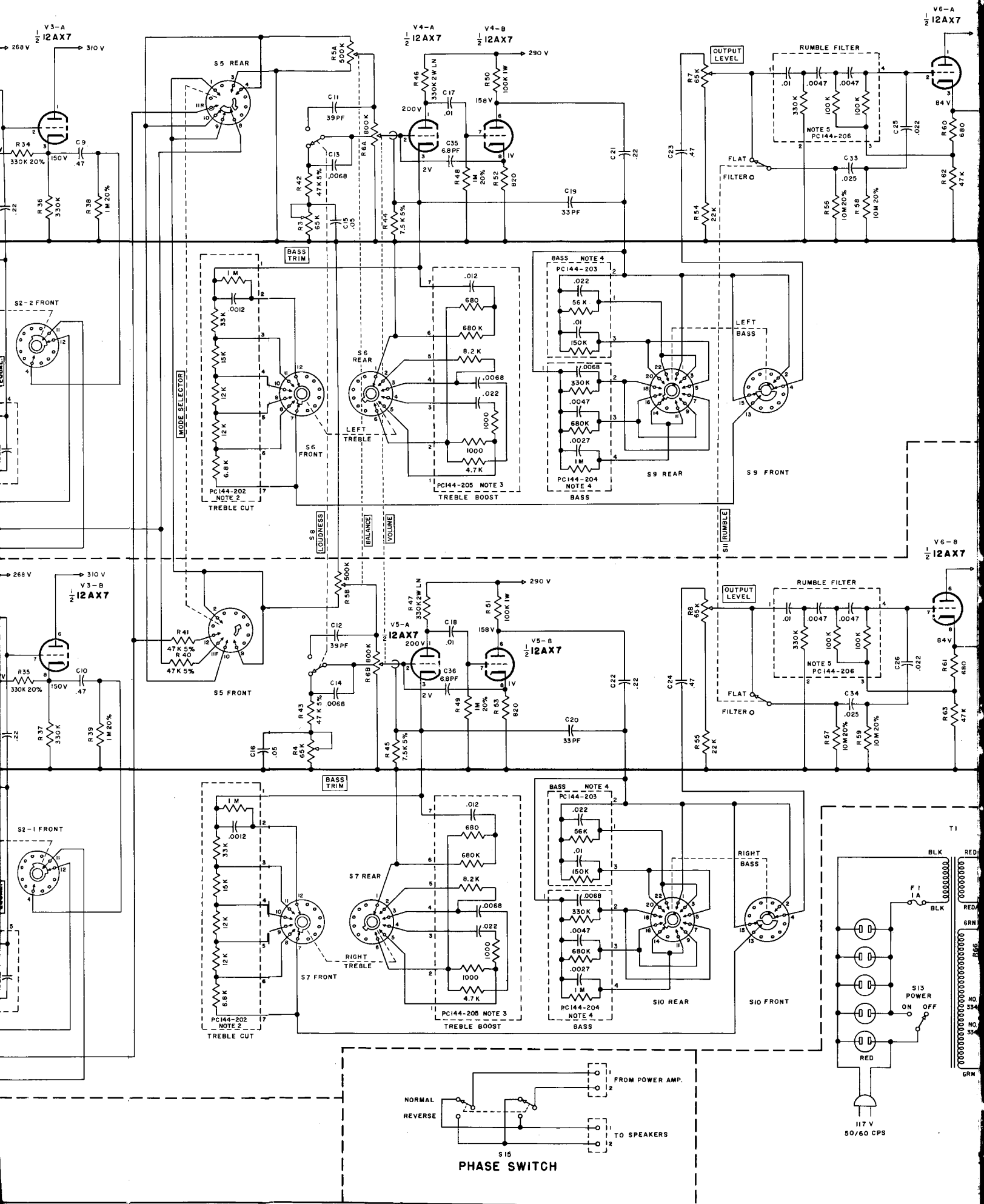
RIGHT CHANNEL

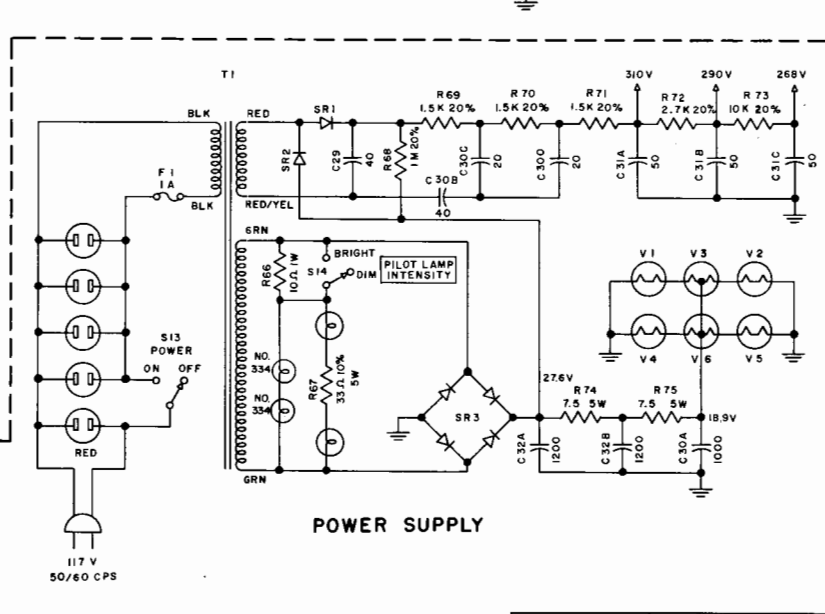
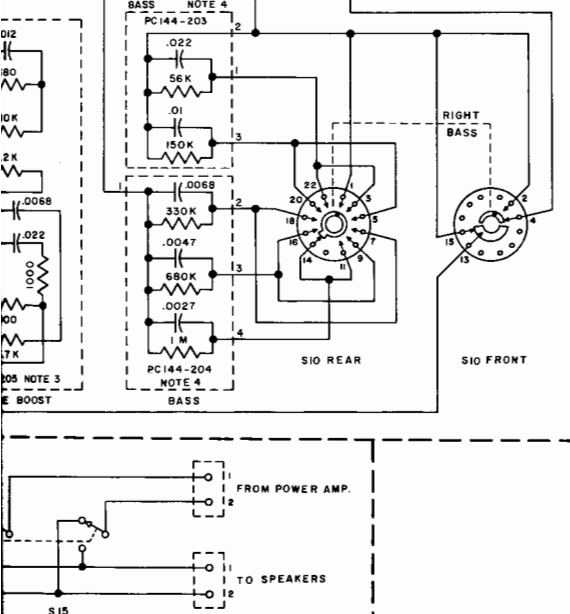
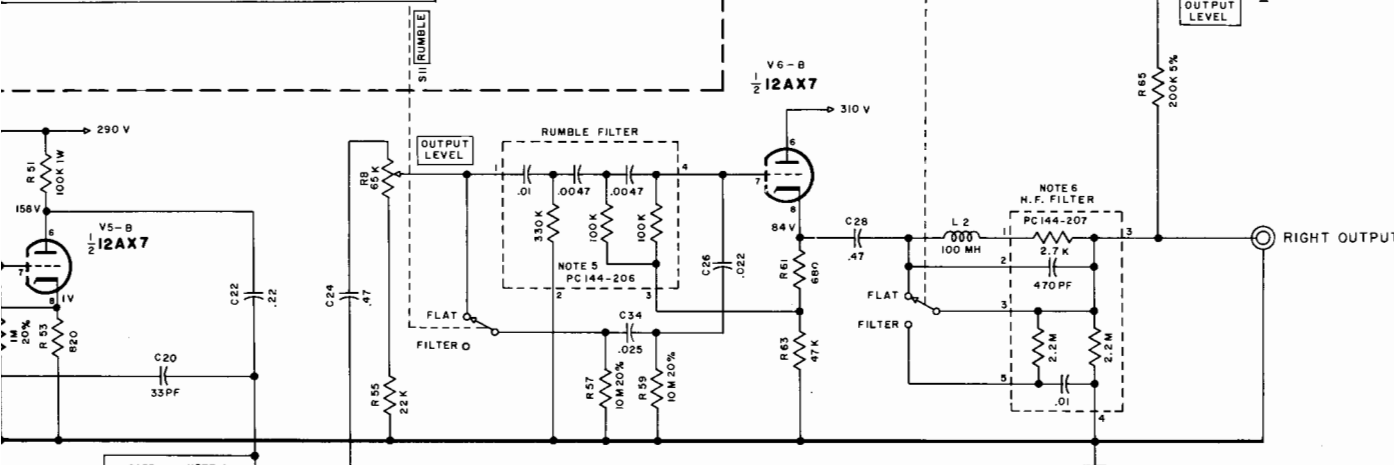
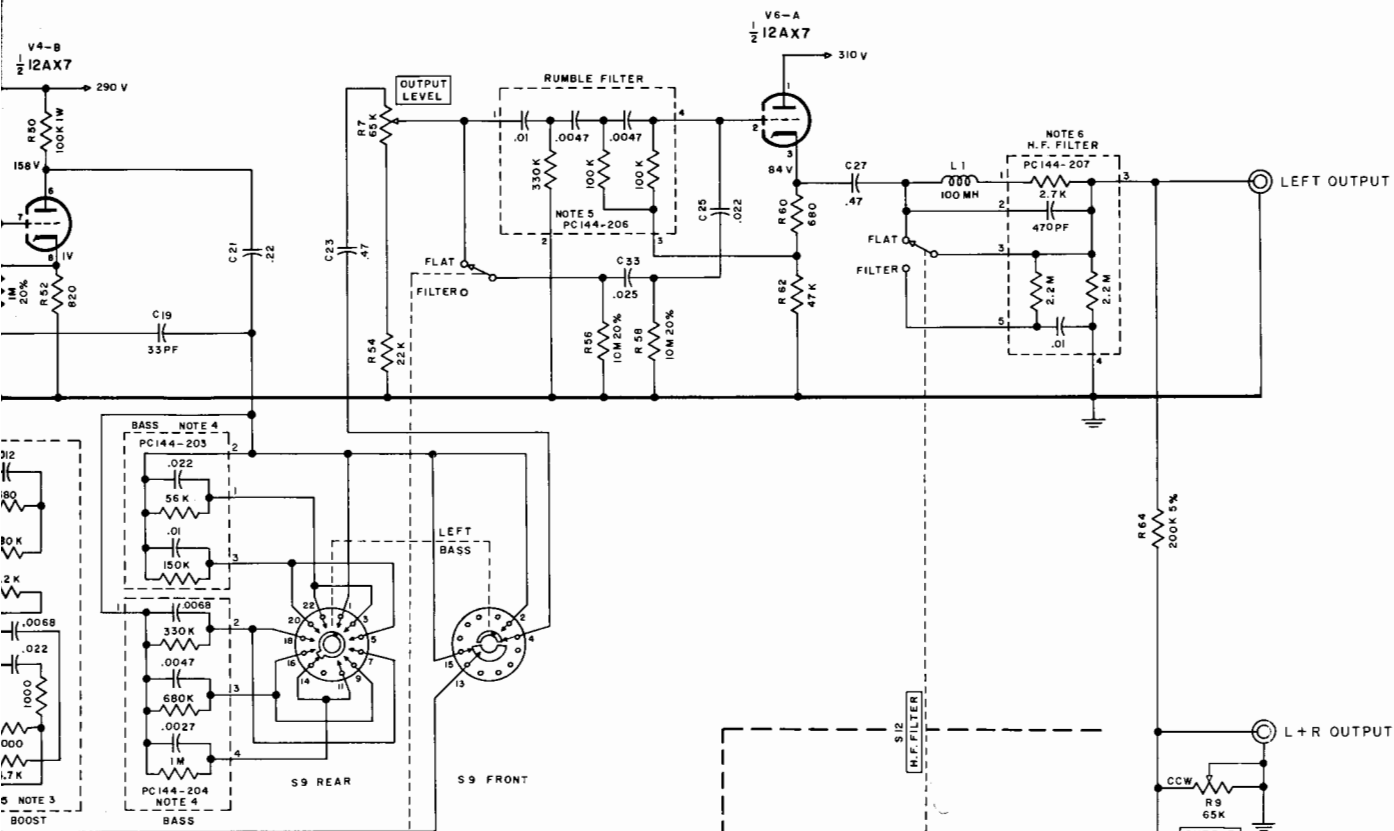
RIGHT CHANNEL INPUTS



RIGHT TAPE







PHASE SWITCH

LAST R - 75
LAST C - 36

DATE	TITLE	PAGE NO.
	SCHEMATIC, C22	
McINTOSH LABORATORY, INC. 7 Chambers St., Englewood, N. J.		
REFERENCES - (None otherwise specified)	SCALE	REV.
0.1" Approx. 1/8" Minimum 1/8" (Preferred)	AS SHOWN	VS
	DATE	DWG. NO.
	6.29.63	SC144E216
	APP'D	REV.
	SBC	