

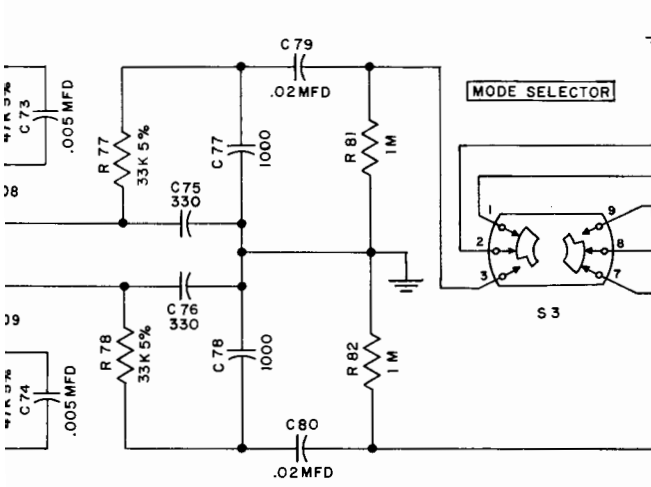
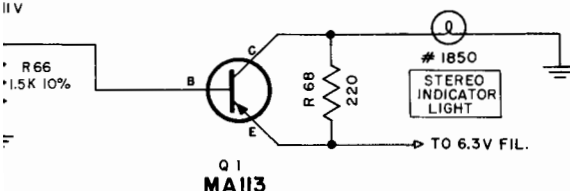
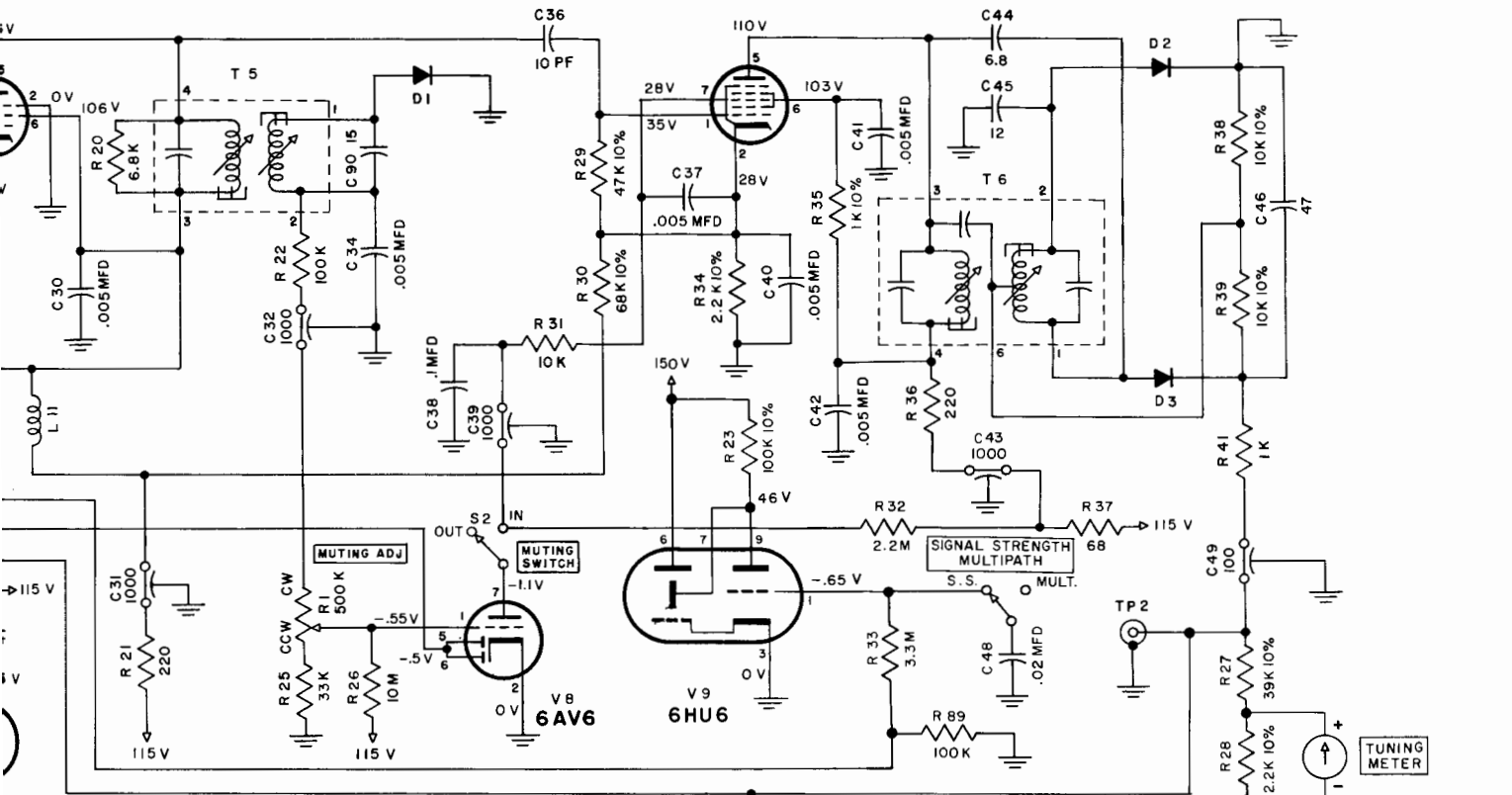
ALL VOLTAGES MEASURED UNDER FOLLOWING CONDITIONS:  
 1 - USE OF 11 MEGOHMS INPUT IMPEDANCE VTVM VOLTMEETER.  
 2 - ALL VOLTAGES  $\pm 10\%$ , WITH RESPECT TO GROUND.  
 3 - A.C. INPUT AT 117 V 50-60 CPS.  
 4 - NO SIGNAL AT ANTENNA AND OTHER INPUT TERMINALS.  
 5 - FRONT PANEL CONTROLS AT

MODE SELECTOR - MONO.  
 VOLUME CONTROL - MAX.  
 MUTING - OFF

UNLESS OTHERWISE SPECIFIED  
 ALL RESISTORS 1/2 W 20%  
 ALL CAPACITORS IN PF  
 ALL INDUCTORS IN MICRO H

FM. IF: 10.7 MC

V 7  
6CS6



OTHERWISE SPECIFIED  
RESISTORS 1/2 W 20%  
CAPACITORS IN PF  
RESISTORS IN MICRO H  
0.7 MC

SYMBOL NUMBERS NOT USED  
R 80 C 28  
R 87 C 33  
C 35

FOR SERIAL NUMBERS 22T04 AND ABOVE

|   |  |                 |          |           |
|---|--|-----------------|----------|-----------|
| MATERIAL  | TITLE  | SCHEMATIC, MR67 |          | PART NO.  |
| FINISH  | LABORATORY INC.<br>2 Chambers St., Binghamton, N. Y. |                 | USED ON: |           |
| TOLERANCES - Unless otherwise specified:<br>Resistors = 1/2%<br>Capacitors = 1/2%<br>Angles = 30 Degrees<br>= .005 Decimals | SCALE  | DRAWN BY        | DATE     | DWG NO.   |
|   |  | VG              | 1.4.63   | SC123-176 |
|   | CHECKED  | EB              | APPROVED | SAC       |