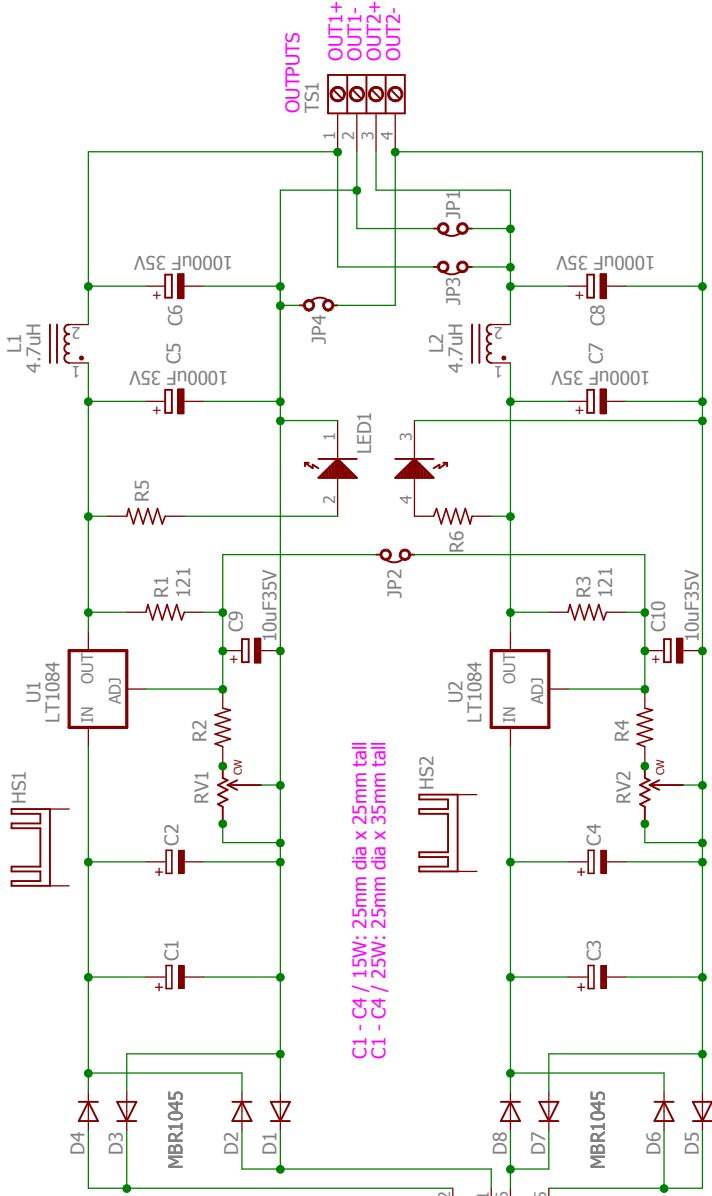
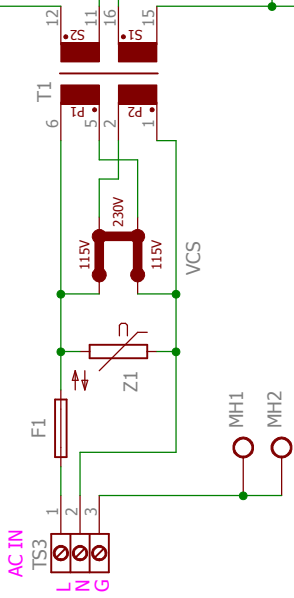


Input voltage:	Fuse:	Z1 (Optional):
115V - 120V	15VA: 200mA 250V T 25VA: 315mA 250V T	130VAC V130LA5P
230V - 240V	15VA: 100mA 250V T 25VA: 160mA 250V T	250VAC V250LA10P

Install soldered jumper wire(s) to select 120V or 240V



C1 - C4 / 15W: 25mm dia x 25mm tall
C1 - C4 / 25W: 25mm dia x 35mm tall

$$V_{out} = 1.25 * (1 + (R_{set}/121)) \text{ where } R_{set} = R2 + VR1$$

Output voltage:	Transformer (15VA):	Transformer (25VA):	C1-C4 (25VA):	R2 R4	VR1 VR2	R5 R6
2x 5-7VDC	TE70050K 2x7VAC	TE70060K 2x7VAC	10000uF 16V	357	200	620
2x 7-10VDC	TE70051K 2x9VAC	TE70061K 2x9VAC	10000uF 16V	536	500	1k
2x 10-13VDC	TE70052K 2x12VAC	TE70062K 2x12VAC	6800uF 25V	825	500	1.5k
2x 13-18VDC	TE70053K 2x15VAC	TE70063K 2x15VAC	6800uF 25V	1130	500	2k
2x 18-22VDC	TE70054K 2x18VAC	TE70064K 2x18VAC	4700uF 35V	1500	500	3k
2x 22-28VDC	TE70055K 2x22VAC	TE70065K 2x22VAC	4700uF 35V	2000	1k	3.9k

Jumper installation (soldered wire recommended):

Separate supplies	None
Series (+/-) supplies	JP1, JP3, JP4
Parallel Supplies	JP2, JP3, JP4

15/25VA Dual Power Supply
www.pmllett.com

TITLE: PS1525

Document Number:

REV:

Date: 7/29/2021 12:31 PM

Sheet: 1/1