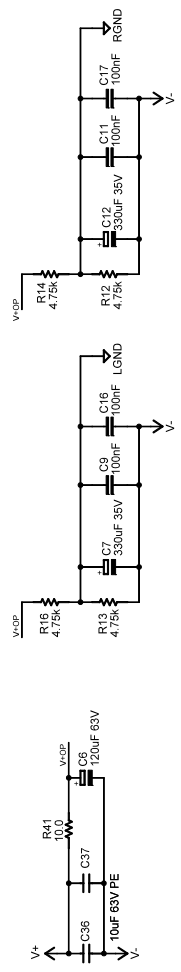
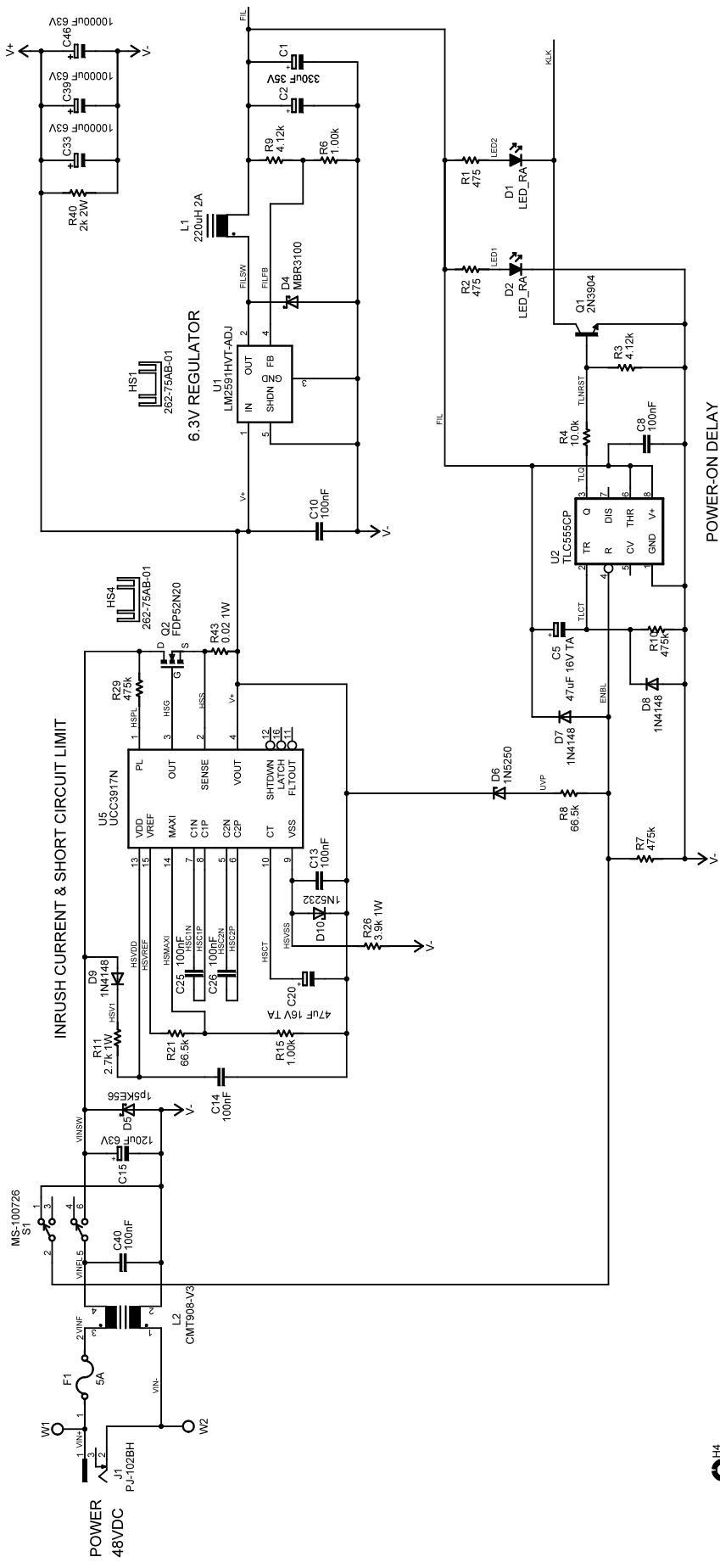


Copyright 2007 Peter Millett  
 Commercial use requires permission  
 www.pmillett.com - pete@pmillett.com

Resistors 1/4W metal film unless otherwise specified  
 All caps 63V (or higher) unless otherwise specified

<b>Hybrid amp</b> with adjustable damping left & right channels	
TITLE: hybridamp	
Document Number:	
REU:	A
Date: 7/03/2007 09:22:09a	
Sheet: 1/2	





- ⊗ H4 MOUNT-PAD-ROUND3.6
- ⊗ H5 MOUNT-PAD-ROUND3.6
- ⊗ H6 MOUNT-PAD-ROUND3.6
- ⊗ H1 MOUNT-PAD-ROUND3.6
- ⊗ H2 MOUNT-PAD-ROUND3.6
- ⊗ H3 MOUNT-PAD-ROUND3.6

Copyright 2007 Peter Millett  
 Commercial use requires permission  
 www.pmillett.com - pete@pmillett.com

Hybrid amp with adjustable damping power supply	
TITLE: hybridamp	REV: A
Document Number:	
Date: 7/03/2007 09:22:09a	Sheet: 2/2