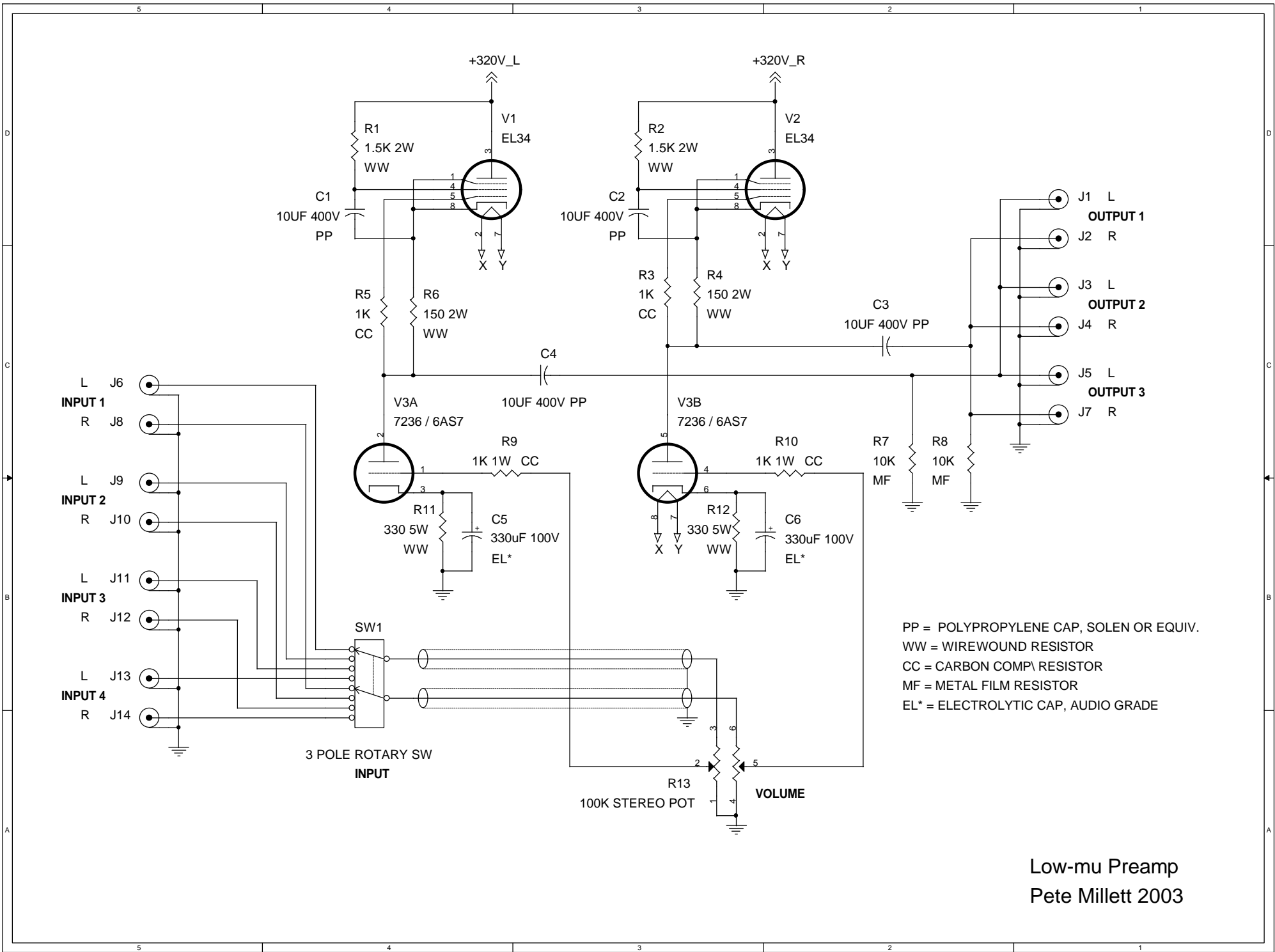


PP = POLYPROPYLENE CAP, SOLEN OR EQUIV.
 ELECT = ELECTROLYTIC CAP
 WW = WIREWOUND RESISTOR

Low-mu Preamp
 Power Supply

Pete Millett 2003



PP = POLYPROPYLENE CAP, SOLEN OR EQUIV.
 WW = WIREWOUND RESISTOR
 CC = CARBON COMP. RESISTOR
 MF = METAL FILM RESISTOR
 EL* = ELECTROLYTIC CAP, AUDIO GRADE

Low-mu Preamp
 Pete Millett 2003